

FIBREGLASS LADDRES



Standards Followed:



We offer ladders that meet the international ANSI standards to keep you absolutely safe.

Manufacturer
SumiP[®]
TRUSTED BRAND SINCE 1988

27



THE FIRST & ONLY CHOICE IN FRP LADDERS

Company Profile :

Sumip Composites Pvt. Ltd. is known for the quality performance of its fiberglass products be it ladders, cable trays, canopies, street light poles, luminaires etc. It is a company promoted by a group manufacturing industrial electrical products for last three decades, specially designed for the use in critical environment. Fiberglass products were specifically developed due to demand from the valued wide client base.

We make safe ladders :

All our ladders are designed and made to meet the applicable standards & requirements of the National (IS) as well as International standards like American National Standards Institute (ANSI), OSHA etc.



OSHA has set minimum requirement with respect to the use of ladders in business and industry.

All ladders must be constructed in compliance with applicable safety codes of the American National Standards Institute (ANSI).



Variety of ANSI safety codes are available depending on material and type of ladders. The applicable ANSI codes are as follows.

WOOD LADDER	ANSI A14.1
METAL LADDER	ANSI A14.2
FIXED LADDER	ANSI A14.3
FIBERGLASS LADDER	ANSI A14.5
STEEL LADDER	ANSI A14.7
STAGE PLATFORM	ANSI A10.8
ROLLING SCAFFOLD	ANSI A10.8

In addition, ANSI codes have established a Duty Rating which identifies the use for which a portable ladder is intended and the conditions under which the ladder can be used safely. The following table describes the various types of ladders.

TYPE	CAPABLE OF SUPPORTING	RATED USE
TYPE IAA	375Lbs.	EXTRA HEAVY DUTY INDUSTRIAL
TYPE IA	300Lbs.	EXTRA HEAVY DUTY INDUSTRIAL
TYPE I	250Lbs.	HEAVY DUTY INDUSTRIAL
TYPE II	225Lbs.	MEDIUM DUTY COMMERCIAL
TYPE III	200Lbs.	LIGHT DUTY HOUSE HOLD

An extensive series of tests and design requirements determines which Duty Rating a particular ladder may be labelled with. The total load supported includes the combined weight of the user, clothing, tools and any material on the ladder. The tests' requirements have been specified with a safety factor of four to ensure the ability to meet the Duty Rating. However, ladders must be used properly in order to support the intended load.

But users make ladders more safe :

Although the ladders are rigidly constructed they can be involved in the accident if proper care / cautions are not taken in its use. All instructions and labels on ladders to be read before use.

Inspection before each use of ladder :

Inspect the ladder thoroughly for missing or damaged components before using a ladder.
 Never use a damaged ladder & also never make temporary repairs. Inspect thoroughly for loose fasteners.
 Make sure all working & moving parts are in good working condition, if required lubricate the same. Clean ladder from all foreign materials like water, mud, grease, oil etc.

Consider before each use of ladder :

Metal Ladder conduct Electricity hence keep away from electrical circuits. Use FRP ladders instead of metal ladders as metal ladders conduct electricity.
 We request you to use ladder as per the instruction, do not overload it. It is designed for one person only. Do not use in poor health, or alcoholic conditions or physically handicapped condition.
 Keep shoes clean & do not use leather shoes while using ladder.
 Never leave ladder set up & unattended.

For more details on instructions to use the ladders ask for technical manual for ladder safety of FRP Ladders.



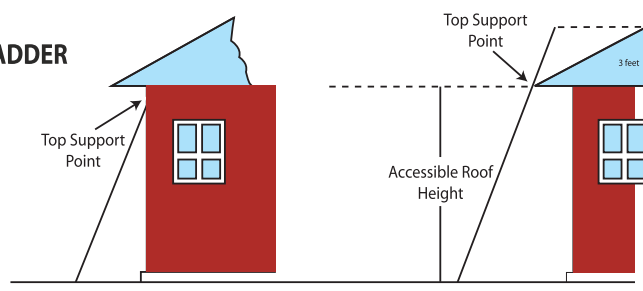
FEATURES OF FIBERGLASS LADDERS :

• NON CONDUCTIVE	• LIGHT IN WEIGHT
• CORROSION RESISTANCE	• SHOCK PROOF
• SIDE RAILS FROM PULLTRUDED CHANNEL	• UV STABILIZED
• FLAME RETARDANT	• ECONOMICAL IN LONG RUN
• HIGH STRENGTH TO WEIGHT RATIO	• LOW THERMAL CONDUCTIVITY

OUR CURRENT RANGE OF LADDERS :

Series	Description	Capacity	Duty Rating
FS 1000	SELF SUPPORTED STEP LADDER	300LBS	TYPE IA
FS 2000	SELF SUPPORTED STEP LADDER	250LBS	TYPE I
FM 1000	SELF SUPPORTED STEP TRESTLE LADDER	300LBS	TYPE IA
FM 2000	SELF SUPPORTED STEP TRESTLE LADDER	250LBS	TYPE I
FH 1000	WALL SUPPORTED SHELF LADDER	300LBS	TYPE IA
FP 1000	SELF SUPPORTED PLATFORM LADDER	300LBS	TYPE IA
FP 1100	SELF SUPPORTED PLATFORM LADDER WITH HAND RAIL & CASTOR	300LBS	TYPE IA
FP 3000	SELF SUPPORTED TRESTLE LADDER WITH FOLDABLE PLATFORM	300LBS	TYPE IA
FE 2000	WALL SUPPORTED EXTENSION LADDER	300LBS	TYPE IA
FE 3000	WALL SUPPORTED EXTENSION LADDER	300LBS	TYPE IA
FE 8400	LADDER FOR MANHOLE APPLICATION	300LBS	TYPE IA
FY 8000	INDUSTRIAL STEP STAND	300LBS	TYPE IA
FPM 1000	MOBILE PLATFORM FOR MAINTENANCE (SINGLE)	300LBS	TYPE IA
FPM 1100	MOBILE PLATFORM FOR MAINTENANCE (DOUBLE)	600LBS	TYPE IA
MTPL 1000	MOBILE TELESCOPIC PLATFORM LADDER	300LBS	TYPE IA
MTPL 2000	MOBILE TELESCOPIC PLATFORM TILTABLE LADDER	300LBS	TYPE IA
FPM 3000	MOBILE PLATFORM LADDER FOR MAINTENANCE	300LBS	TYPE IA

USE THESE CHARTS TO DETERMINE THE RIGHT LADDER LENGTH FOR YOUR JOB :



STEP LADDER HEIGHT SELECTION GUIDE

STEP LADDER SIZE	APPROX, HIGHEST STANDING LEVEL
4'	1' 11"
5'	2' 11"
6'	3' 9"
7'	4' 9"
8'	5' 8"
10'	7' 7"
12'	9' 6"
14'	11' 5"
16'	13' 4"
18'	15' 3"
20'	17' 2"

EXTENSION LADDER LENGTH SELECTION GUIDE

LADDER SIZE	MAXIMUM EXTENDED LENGTH	*WORKING RANGE TO TOP SUPORT	*MAXIMUM ACCESSIBLE ROOF HEIGHT RANGE
16'	13'	7-1/2' - 12-1/2'	4-1/2' - 9-1/2'
20'	17'	9-1/2' - 16-1/2'	6-1/2' - 13-1/2'
24'	21'	11-1/2' - 20'	8-1/2' - 17'
28'	25'	13-1/2' - 24'	10-1/2' - 21'
32'	29'	15-1/2' - 28'	12-1/2' - 25'
36'	32'	17-1/2' - 31'	14' - 28'
40'	35'	19' - 33-1/2'	16' - 30-1/2'
44'	39'	21' - 37-1/2'	18' - 34-1/2'
48'	43'	23' - 41-1/2'	20' - 38-1/2'
60'	48'	23' - 46-1/2'	20' - 43-1/2'



FIBERGLASS STEP LADDER

FS1000 SERIES
300 lbs.



Extra heavy duty fiberglass step ladder for all industrial applications.

Moulded top with Recess tray : Nonconductive Structural moulded top, with slots help to keep tools close at hand.

Inside Spreader Braces
Slip Resistant Rubber Feet : Aluminum Feet with thick rubber tread.

Full Channel Fiberglass : Nonconductive.

Heavy Gusset Bracing : Two pairs of gusset support at the bottom step. All gussets are heavy duty steel.

Model No.	Size	Step Size	Width	Approx Spread	Approx Wt.	Approx Cube
FS 1003	3FT	3"	17.5"	23"	6	3.23'
FS 1004	4FT	3"	19"	29"	8	4.05'
FS 1005	5FT	3"	21.5"	35"	9.5	5.17'
FS 1006	6FT	3"	23"	41"	11	6.2'
FS 1007	7FT	3"	24.5"	48"	13	7.86'
FS 1008	8FT	3"	26"	54"	15	9.5'
FS 1010	10FT	3"	29"	66"	19	12.54'
FS 1012	12FT	3"	32"	78"	24	16.10'



FIBERGLASS STEP TRESTLE LADDER

FM1000 SERIES
300 lbs.



Two side mechanical step ladder is designed as trestle ladder for entry from either side. Nonconductive fiberglass rail with fully serrated aluminum steps on front & back.

Heavy Gauge Steel Hinges : Suitable for industrial application.

Heavy Gusset Bracing : Two pairs of gusset support at the bottom step. All gussets are heavy duty steel.

Slip Resistant Rubber Feet : Aluminum feet with thick rubber tread.

Inside Spreader Braces : (Through 12') Full Channel of Fiberglass Rail.

Model No.	Size	Step Size	Width	Approx Spread	Approx Wt.	Approx Cube
FM 1004	4FT	3"	19"	36"	10.5	4.05'
FM 1005	5FT	3"	21.5"	45"	12	5.01'
FM 1006	6FT	3"	23"	52"	13	6.53'
FM 1007	7FT	3"	24.5"	60"	17	8.10'
FM 1008	8FT	3"	26"	67"	20	9.51'
FM 1010	10FT	4"	29"	83"	27	13.44'
FM 1012	12FT	4"	32"	98"	33	17.25'
FM 1014	14FT	4"	35"	112"	38	22.50'
FM 1016	16FT	4"	38"	127"	45	27.50'
FM 1018	18FT	4"	41"	142"	51	33.00'
FM 1020	20FT	4"	42"	145.5"	53	39.00'



FIBERGLASS SHELF LADDER

FH1000 SERIES
300 lbs.



Extra heavy duty 300lb rated, shelf ladder for all industrial application. Steps are level when the ladder is set at 18 Degree. Nonconductive fiberglass side rail with fully serrated aluminum step.

Rubber Bumper : Thick rubber of 6" length parallel to sides of ladder.

Heavy Gusset Bracing : Two pairs of gusset support at the bottom step. All gussets are heavy duty steel.

Slip Resistant Rubber Feet : Aluminum feet with thick rubber tread.

Model No.	Total Length	Step Size	Width	Approx Wt.	Approx Cube
FH 1004	4FT	3"	15"	4.0	1.25'
FH 1005	5FT	3"	15"	5.0	1.56'
FH 1006	6FT	3"	15"	6.0	1.87'
FH 1007	7FT	3"	15"	8.0	2.18'
FH 1008	8FT	3"	15"	8.5	2.50'
FH 1010	10FT	3"	15"	10.5	3.12'
FH 1012	12FT	3"	15"	12.5	4.95'
FH 1014	14FT	4"	17"	15.5	6.54'
FH 1016	16FT	4"	17"	18	7.50'
FH 1018	18FT	4"	17"	20	8.43'
FH 1020	20FT	4"	17"	22	9.37'



Fiberglass Manhole Ladder

FE8400 SERIES
300 lbs.



A narrow fiberglass Straight Ladder design for use in manholes. Full Channel nonconductive side rails. Width of all sizes are 14".

Round Fully Serrated Tempered Rungs.

Optional Rail Protector : Can be ordered with durable rail guards to protect the side rail from metallic rim of manhole.

Safety Shoes : Aluminum Shoe with thick rubber tread.

Full Channel Fiberglass Channel : Nonconductive.

Model No.	Total Length	Approx Wt.	Approx Cube	Size	Rail Depth	Approx Inside Width	Approx Outside Width
FE 8408	8'	9	2.5'	8-12'	3-1/4"	11.5/8"	14"
FE 8410	10'	11	3.48'	14-20'	4"	11.5/8"	14"
FE 8412	12'	13	4.2'				
FE 8414	14'	16	5.0'				
FE 8416	16'	17	5.6'				
FE 8418	18'	20	6.5'				
FE 8420	20'	21	7.0				



FIBERGLASS EXTENSION LADDER

FE2000 SERIES
300 lbs.



Heavy Duty channel extension ladder for all industrial application. Full channel nonconductive side rails. Set ladder at the proper working angle.

Round Fully Serrated Tempered Rungs :
Rungs are connected with Plates.

Easy one handed locking system.

Swivel Safety Shoes : Aluminum Shoe with thick rubber tread.

Full Channel Fiberglass Channel :
Nonconductive.

Model No.	Total Length	Length of Section	Exten. Height	Approx Wt.	Approx Cube	
FE 2616	16'	8'	13'	21	7.8'	
FE 2620	20'	10'	17'	23	9.54'	
FE 2624	24'	12'	21'	28	11.34'	
FE 2628	28'	14'	25'	32	13.23'	
FE 2632	32'	16'	29'	36	15.12'	
FE 2636	36'	18'	32'	40	17.01'	
FE 2640	40'	20'	35'	45	18.90'	
Size	Rail Depth	Total Ht.	Approx Inside Width		Approx Outside Width	
			Base	Fly	Base	Fly
16-40'	4"	6.5"	15"	14"	18"	16.5"



FIBERGLASS EXTENSION LADDER

FE3000 SERIES
300 lbs.



Heavy Duty channel extension ladder for all industrial application. Full channel nonconductive side rails. Set ladder at the proper working angle.

Round Fully Serreted Tempered Rungs : Rungs are directly riveted on the side rails.

Easy locking system : Rope operated.

Safety Shoe : Thick Rubber Shoe.

Full Channel Fiberglass Channel : Nonconductive.

Model No.	Total Length	Length of Section	Exten. Height	Approx Wt.	Approx Cube	
FE 3216	16'	8'	13'	23	7.58'	
FE 3220	20'	10'	17'	23	9.54'	
FE 3224	24'	12'	21'	28	11.34'	
FE 3228	28'	14'	25'	32	13.23'	
FE 3232	32'	16'	29'	36	15.12'	
FE 3236	36'	18'	32'	40	17.01'	
FE 3240	40'	20'	35'	45	18.90"	
Size	Rail Depth	Total Ht.	Approx Inside Width		Approx Outside Width	
			Base	Fly	Base	Fly
16-40'	4"	6.5"	15"	14"	18"	16.5"



FIBERGLASS PLATFORM STEP LADDER

FP1000 SERIES
300 lbs.



Fiberglass platform ladder designed for prolong standing at one height. Nonconductive fiberglass rail with fully serrated aluminium step & platform.

Slip Resistant Platform : Large Fully serrated platform 15" wide 20" deep, it locks ladder.

Heavy Gusset Bracing : Two pairs of gusset support at the bottom step. All gussets are heavy duty steel.

Slip Resistant Rubber Feet : Aluminum feet with thick rubber tread.

Top Rail Guard : to serve as a railing for working from platform.

Full Channel of Fiberglass Rail.

Model No.	Size	Step Width	Approx Spread	Width	Approx Wt.	Approx Cube
FP 1003	3FT	3"	30"	22"	10	3.65'
FP 1004	4FT	3"	38"	23.5"	12	5.06'
FP 1005	5FT	3"	43"	25"	14	6.56'
FP 1006	6FT	3"	50"	26.5"	16	8.15'
FP 1008	8FT	3"	62"	29.5"	22	11.62'
FP 1010	10FT	4"	75"	32"	29	15.31'
FP 1012	12FT	4"	88"	35"	34	19.50'
FP 1014	14FT	4"	100"	38"	39	23.5'
FP 1016	16FT	4"	114.5"	40.5"	45	30.5'



FIBERGLASS PLATFORM STEP LADDER

FP1100 SERIES
300 lbs.



Fiberglass platform ladder designed for prolong standing at one height. Nonconductive fiberglass rail with fully serrated aluminium step & platform

Slip Resistant Platform : Large Fully serrated platform 15" wide 20" deep, it locks ladder.

Heavy Gusset Bracing : Two pairs of gusset support at the bottom step. All gussets are heavy duty steel.

Slip Resistant Rubber Feet : Aluminum feet with thick rubber tread.

Top Rail Guard : To serve as a railing for working from platform.

Full Channel of Fiberglass Rail.

Model No.	Size	Step Width	Approx Spread	Width	Approx Wt.	Approx Cube
FP 1103	3FT	3"	30"	22"	10	3.65'
FP 1104	4FT	3"	38"	23.5"	12	5.06'
FP 1105	5FT	3"	43"	25"	14	6.56'
FP 1106	6FT	3"	50"	26.5"	16	8.15'
FP 1108	8FT	3"	62"	29.5"	22	11.62'
FP 1110	10FT	4"	75"	32"	29	15.31'
FP 1112	12FT	4"	88"	35"	34	19.50'

Note : 6, 8, 10 & 12 Models are provided with insulated handrail and 3, 4 & 5 Models are provided with castor unit only.



FIBERGLASS MOBILE MAINTENANCE PLATFORM

FPM1000 SERIES
300 lbs.



These mobile maintenance platform is specially designed for working around electricity, its non conductive material & heavy duty construction provides safety on jobs where electrical lines are present.

- Heavy Duty anti skid step assembly.
- Non conductive Platform Assembly.
- Heavy Duty Base Assembly.
- Non Conductive Handrail & Guard Rail.
- Safety Lock feature with Handle for Wheel Engagement.
- Safety Yellow Colour

FPM1000 Series Single Person 24L X 17W 300LBS Capacity.

Model No.	Size	HT to Step	Max. Length	Max. Width	Max. HT with Side	WT in Kg.	Approx Cube
FPM1005	5	4'	63"	32"	7'.6"	79	18'
FPM1006	6	4'.9"	71"	32"	8'.3"	86	21'
FPM1007	7	5'.7"	80"	32"	9'.1"	106	25'
FPM1008	8	6'.4"	89"	32"	9'.10"	117	28'
FPM1009	9	7'.2"	97"	32"	10'.8"	127	31'
FPM1010	10	7'.11"	106"	32"	11'.5"	184	60'
FPM1011	11	8'.9"	114"	36"	12'.3"	193	66'
FPM1012	12	9'.6"	123"	36"	13'	200	71'
FPM1013	13	10'.4"	131"	39"	13'.10"	233	77'
FPM1014	14	11'.15"	140"	39"	14'.10"	241	83'
FPM1015	15	11'.11"	148"	39"	15'.5"	248	89'



FIBERGLASS MOBILE MAINTENANCE PLATFORM

FPM1100 SERIES
300 lbs.



These mobile maintenance platform is specially designed for working around electricity, its non conductive material & heavy duty construction provides safety on jobs where electrical lines are present.

- Heavy Duty anti skid step assembly.
- Non conductive Platform Assembly.
- Heavy Duty Base Assembly.
- Non Conductive Handrail & Guard Rail.
- Safety Lock feature with Handle for Wheel Engagement.
- Safety Yellow Colour

FPM1100 Series Double Person 24L X 34W 600LBS Capacity

Model No.	Size	HT to Step	Max. Length	Max. Width	Max. HT with Side	WT in Kg.	Approx Cube
FPM1105	5	4'	80"	32"	7'.6"	88	25'
FPM1106	6	4'.9"	92"	32"	8'.3"	95	28'
FPM1107	7	5'.7"	97"	32"	9'.1"	115	31'
FPM1108	8	6'.4"	106"	32"	9'.10"	126	60'
FPM1109	9	7'.2"	114"	32"	10'.8"	136	66'
FPM1110	10	7'.11"	123"	32"	11'.5"	197	71'
FPM1111	11	8'.9"	131"	36"	12'.3"	207	77'
FPM1112	12	9'.6"	140"	36"	13'	214	83'
FPM1113	13	10'.4"	148"	39"	13'.10"	246	89'
FPM1114	14	11'.1.5"	157"	39"	14'.10"	255	95'
FPM1115	15	11'.11"	166"	39"	15'.5"	261	101'



FIBERGLASS INDUSTRIAL STEP STAND

FY8000 SERIES
300 lbs.



These multi purpose, heavy duty industrial domestic step stands are available as light weight, non conductive fiberglass step stand.

Large Moulded Top : Nonconductive moulded top. 14" wide & 10" deep.

Heavy Gusset Bracing : Two pairs of gusset support at the bottom step. All gussets are heavy duty steel.

Slip Resistant Rubber Feet : Aluminum feet with thick rubber tread.

Large Aluminum Fully Serrated Steps.

Model No.	Size	Top Width	Approx Spread	Width	Approx Wt.	Approx Cube
FY 8001	1FT	14x10"	15"	15"	4	1.56'
FY 8002	2FT	14X10"	21"	18"	8	5.25'
FY 8003	3FT	14X10"	27"	20"	11	11.25'
FY 8004	4FT	14X10"	33"	22"	14	20.16'

Castor & handle option available

Note : Available Alternate FRP TOP CAP Size (A) 14 X 14" (B) 18 X 18" instead of 14 X 10"



Work Platform Ladder (Commercial)

Safe Access platforms provide fall protection during high level risk work Environment. retractable platform provide safe access to the tops of Rail and Road tanker , while the safety cage ensures superior fall protection for the operators, once on the top of the tanker.

Safe Access Platforms requires minimum lateral force to raise or lower the platform. Standard foot lock and Chain lock of basic unit can be replaced with hydraulic parking lock to stabilize the unit in any position.

Heavy duty / Professional use:

- Modular structure made out of Structural fittings
- Heavy Duty MS Powder Coated Base Frame with 4" Castor wheel with break - 2 nos. fix and 2 nos. Swivel type
- Wide platform – 600 mm X 600 mm / Customized size
- 100 mm wide aluminum extruded anti slippery steps.
- 250 mm height between two steps.
- Platform Railing 950 mm high
- Toe Guard 150mm wide
- Heavy duty Rung Railing (Optional)
- Screw jack with Stabilizer arm (Optional)
- Self Closing Safety Gate (Single leaf/double leaf - Optional)
- Load Capacity : 150 kg.



Mobile Tanker Loading Access Platform Ladder

EnduRack Rolling Tanker access ladders are engineered for reliable, safe and simple in operation with outstanding performance value. Ladder inclination and size is designed with proper care to suit many height variations and safe access. Rolling Truck loading platform Ladder provide safe access to the tops of Rail and Road tanker to ensure safe access to the operator to top of the tanker where floor space is limited and truck inspection stations are not fixed.

Mobile Truck Loading Access Platform Ladder is not just for tankers!! It is to Work Safety on vehicle roofs.

Features:

- Height Variations to suit Ladder elevation by means of rope or hand winch.
- Top safety cage dimensions standard or to suit.
- Counterbalance weights allow wheels flush with sides.
- Supplied flat-packed in knock-down form for on-site assembly.



Standard Base Ladder Module:

- Extending 2-section ladder with height adjustment by means of rope/hand which
- **Two variants** : Vertical platform heights: Model ERTL 2535 - 2.5 to 3.5 m for normal Tankers
- Model ERTL 3043 - 3.0 to 4.30 m for ISO tankers
- Aluminum access platform having lengths of 600 mm / 800 mm
- Rectangular Guardrail of @ 1170 mm x 900 mm
- Chassis module: available with push-pull handles
- Standard chassis with optional extendable stabilizer arms of 800 mm fitted with screw jacks (200 mm adjustment) for optimum stability and compensation for uneven ground.
- Base frame dimensions: 2.3 m long x 0.875 m wide
- Mobile on 2 swivel and 2 braked fixed castors.
- Counterbalance weights fitted under alloy tread plate.

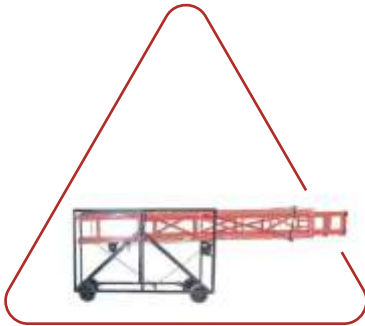
All tanker ladders are supplied in knock-down condition in modules and final assembly on sit.



OTHER PRODUCTS



MTPL 1000	MOBILE TELESCOPIC PLATFORM LADDER	
300 LBS DUTY RATING IA	This Ladder is Designed for Working on Street Light Application	SIZES 15FT to 30FT Platform Height



MTPL 2000	MOBILE TELESCOPIC PLATFORM TILTABLE LADDER	
300 LBS DUTY RATING IA	This Ladder is Designed for working on Street Light Application.	SIZES 15 FT to 25 FT Platform Height.



FPM 3000	MOBILE PLATFORM LADDER	
600 LBS DUTY RATING IA	This mobile maintenance platform is specially designed for working around electricity, its non conductive material & heavy duty construction provides safety on jobs where electrical lines are present. This ladder has a platform of size 600mm(W) X 800mm(L), which gives comfort to the user. The ladder has spring loaded castors, to move ladder easily.	SIZES 3FT To 6FT HEIGHT



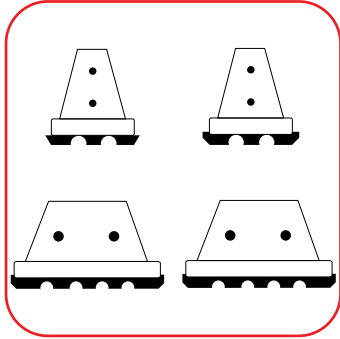
FP 3000	SELF SUPPORTED TRESTLE LADDER WITH FOLDABLE PLATFORM	
300 LBS DUTY RATING IA	This platform ladder is self supported, design to be use by either side. The ladder has a castor for easy movement as well as platform is collapsible.	SIZES 6FT To 12FT HEIGHT

Note : The Ladders shown in the catalogue may or may not final product due to continuous design improvement.

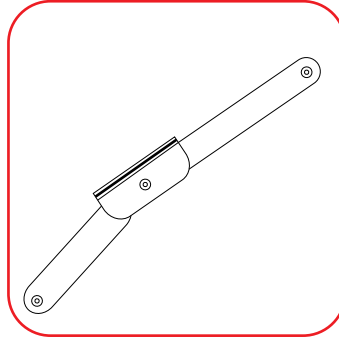


ACCESSORIES

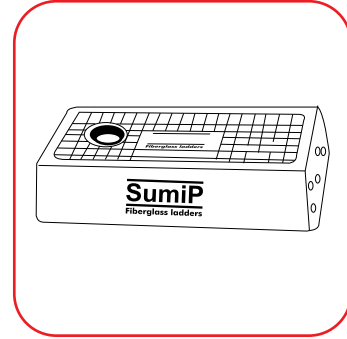
Step Ladder



A Shoe Kits

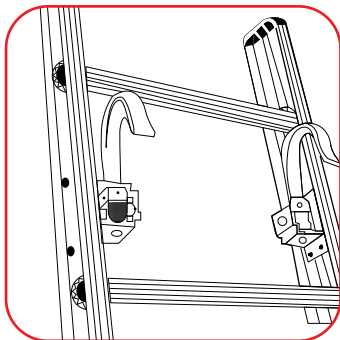


B Spreader Braces

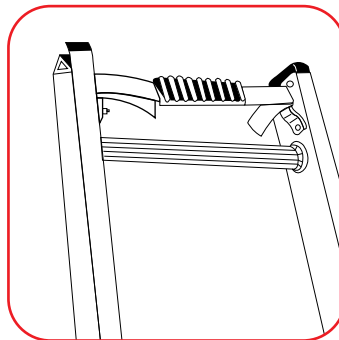


C Step Ladder Top

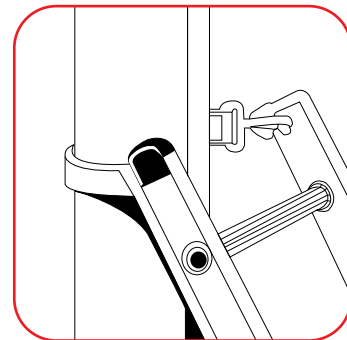
Extension Ladder



D Cable Hooks



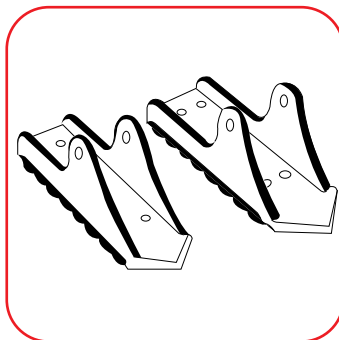
E Web Pole Grip



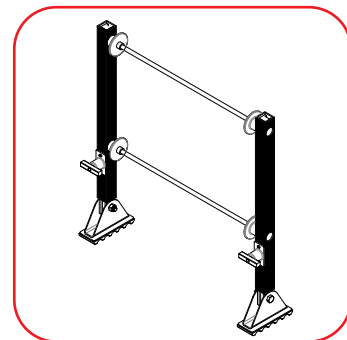
F Ladder Lash



G Rung Insulator



H Swivel Safety-Shoe Kits




**I Leveler for FE type Ladder
(Also available for FH type Ladder)**





Scan QR code to
download catalogues

MARK SAFETY APPLIANCES

 **Regd. Office, Warehouse & Workshop:**
Plot No. 92, 93, Shah Industrial Park-3 at Kotambi,
Pin Code 391510, Vadodara-Halol Highway,
Dist. Vadodara, Gujarat, India.

 02668 299065  info@marksafety.com

 www.marksafety.com

Connect us:     